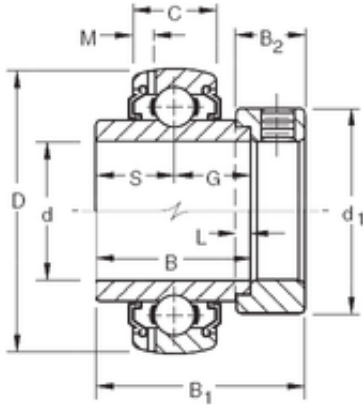


G1013KLLB Timken Deep Groove Ball Bearings



Bearing No. G1013KLLB

Size	20.6375x52x34.92 mm
Bore Diameter	20,6375 mm
Outer Diameter	52 mm
Width	34,92 mm
d	20,6375 mm
D	52 mm
B	34,92 mm
C	15 mm
d1	38,1 mm
B1	44,45 mm
B2	13,5 mm
G	17,5 mm
L	4 mm
M	3,86 mm
S	17,5 mm
Weight	0,286 Kg
Basic dynamic load rating (C)	15,8 kN

G1013KLLB Bearing 2D drawings and 3D CAD models